



功得電子工業股份有限公司
CONQUER ELECTRONICS CO.,LTD.

規格書

Spec. No. SFA034

Specification For Approval

品名： MET 系列 慢速型保險絲

Type： MET *Slow Blow Radial Lead Micro Fuse Series*

www.conquer.com.tw

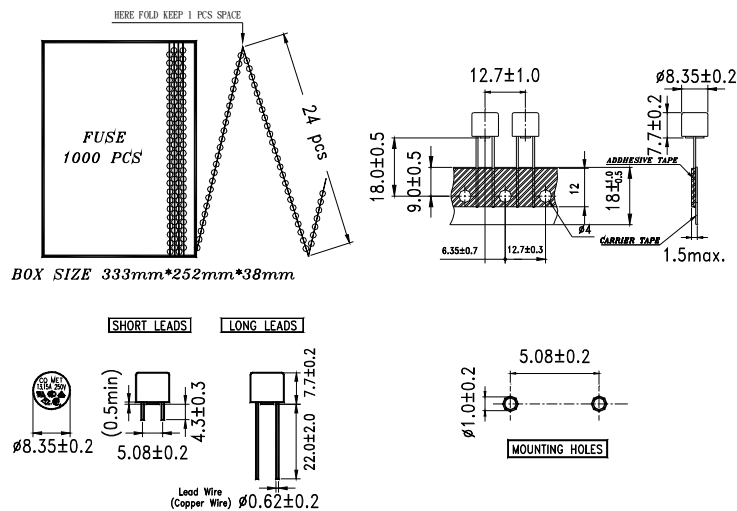
五股廠：新北市五股區五權五路26號(新北產業園區)
Wugu Factory:No.26, Wucyuan 5th Rd., Wugu Dist.,
(New Taipei Industrial Park) New Taipei City
24888, Taiwan
TEL:+886-2-89902189(Rep.)
+886-2-2CONQUER(Rep.)
FAX:+886-2-8990-2577

北投廠：台北市北投區立德路120巷15號
Peitou Factory:No. 15,Lite Road,Peitou,
Taipei11259, Taiwan.
TEL:+886-2-2895-8895(代表號)
FAX:+886-2-2895-8880



~ 立式微小型保險絲 ~
Fuses for Instrument, Power and Telephone (Non-indicating)

- 1 適用範圍: 本標準適用於保護儀器、電源供應器和電話機用之立式微小型熔斷保險絲。
 Available Range: For protecting instruments, power supplies and telephone sets.
- 2 形狀及尺寸如下圖 單位: mm
 Shape & Size as following illustrations.



- 2.1 構造形狀 Structure & Shape : 如上圖 As shown in figure above
- 2.2 額定電壓 Rated Voltage: 250V AC / 277V AC
- 2.3 額定電流 Rated Current: 40mA~10A
- 3 材料 Material:
 - 3.1 上蓋: 不透明塑膠套蓋且不可破裂或變形。
 Cap: Non-Transparent plastic Cap. No breaking or deformation is allowed.
 - 3.2 下座: 不透明塑膠底座且不可破裂或變形。
 Base: Non-Transparent plastic base. No breaking or deformation is allowed.
 - 3.3 兩端端腳: 須以導電率良好之鍍錫黃銅為材料。
 Two copper leads: Made of tin-plated copper wire for good conductivity.

NO.	Part Name 部品名稱	Volume 數量
A	Plastic Cap - Black 塑膠套蓋 - 黑色	1
B	Plastic base - Black 圓形底座 - 黑色	1
C	Fuse Element 可熔體	1
D	Two copper leads 兩端端腳	2



4 電氣特性Electrical Characteristics:

- 4.1 **負載容量:** 通過額定電流值 150 % (亦即 1.5 x In A) 1小時以上能繼續通電無任何熔化現象。
Loading Capacity: Loading the 150 % Listed Electrical Current (i.e. 1.5 x In A) for flowing, and it's available to let current keep on flowing without any melting. (Can keep 1 Hour minimum)
- 4.2 **壓降測量:** 以額定電流，通過保險絲，其兩端壓降值不得超過最大值，可參考 IEC60127-3 Sheet 4。
Voltage drop: Loading 100% of rated current.(ie 1.0 x In), the voltage drops across the fuse-links shall not exceed the maximum values given on the relevant standard sheet (IEC 60127-3 sheet 4)
- 4.3 **過載熔斷:** 請參照下表。
Melting due to overloading: Details as follows Table.

※最大熔斷時限Operating Characteristics

安培數 Rating	150% Rating		210% Rating		275% Rating		400% Rating		1000% Rating	
	Min.	Max.	Min.	Max.	Min.	Max.	Min.	Max.	Min.	Max.
40mA~5A	60min	2min	400ms	10sec	150ms	3sec	20ms	150ms		
6.3A~10A	60min	2min	400ms	10sec	150ms	3sec	15ms	150ms		

5 機械特性 Mechanical Properties:

- 5.1 **拉力測試 Tensile Test:** 上蓋與下座組合之拉力至少 3 kg。
For the tensile test, the force applied shall be 3 kg at least between cover and base.
- 5.2 **推力測試 Thrust Test:** 施力為 2 牛頓，附腳不發生鬆動現象。
For the thrust test, the force applied shall be 2 N, the lead wire.
- 5.3 **彎折強度 Bending Test:** 附腳經過兩次反向之彎折後(彎折90度再折回原位謂之一次彎折)不發生損壞。
No damage are to be visualized after two bends of opposite directions (bending through an angle of 90° and back is defined as one bend) of lead.

- 6 **突波實驗 Surge Test:** 為適應電感或電容性電路所產之暫態電流，本品可承受最少(※註1) 10 In 電流之突波。
In order to stand transient current caused by inductive or capacitive, the fuses are designed to have minimum clearing time of(※Note1) millisecond at 1000% rated current.

※註1(Note1): 20ms (40mA~5A)
15ms (6.3A~10A)

7 耐久實驗 Endurance(On-Off Test):

- 7.1 於額定電流 (1.0 x In)，1小時ON，15分鐘OFF，共100次。
Loading 100% rated current (1.0 x In), 1 hour ON, 15 minutes OFF. Keep 100 cycles.
- 7.2 接著以1.5倍之額定電流(1.5 x In) 通過1小時。
Followed by 1 Hour at 1.5 times the rated current (1.5 x In).
- 7.3 再以4-2之方式量測壓降值，所測得之壓降值不可比原值增加10%以上。
The voltage drop across the fuse-link after the test shall not have increased by more than 10% of the original value measured before the test

- 8 **高溫環境試驗 Derating Test:** 本品置於70°C 之高溫中，能以額定電流 (1.0 x In)通過1小時。
In an air circulating oven at 70°C, the fuses can load 100% rated current for 1 hour and they shall not operate.



9 遮斷能力 Breaking Capacity(Interrupting rating):

35 amperes or 10 × rated current ; whichever is greater at 250V AC.

35 amperes or 10 × rated current ; whichever is greater at 277V AC.(optional)

10 包裝 1000 PCS/盒 內盒印明下列標示:料號、額定(電壓、電流、遮斷能力)及安規名稱。

Packing : 1000 pcs in an inner box. The following items indicated on the box. Mark: Catalog number; ratings (voltage, current, interrupting capacity), and safety mark.

11 其他 Other:

11.1 除非另有指定，上述機械、電器特性，係於常溫，標準狀況下測試之。

Unless otherwise, specified, all tests to be performed at 25±5°C and 35-75% RH.

11.2 於標準狀況下儲放一年，本品乃確保上述機械與電氣之特性。

After one year's storage under normal condition, this item is guaranteed to meet the requirements mentioned above.

12 標記/安規認證 Mark/ Safety certification:

									Nominal Resistance Cold Ohms
40 mA	**		**	**		**	**		11.200
50 mA	**		**	**		**	**		8.9000
63 mA	**		**	**		**	**		6.7000
80 mA	**		**	**		**	**		3.1000
100 mA	**		**	**		**	**		2.1170
125 mA	**		**	**		**	**		1.4377
160 mA	**		**	**		**	**		1.2458
200 mA	**		**	**		**	**		0.8240
250 mA	**		**	**		**	**		0.6300
315 mA	**		**	**		**	**		0.3800
400 mA	**		**	**		**	**		0.2700
500 mA	**		**	**		**	**		0.1950
630 mA	**		**	**		**	**		0.1322
800 mA	**		**	**		**	**		0.0907
1 A	**		**	**	**	**	*		0.0750
1.25 A	**		**	**	**	**	*		0.0550
1.6 A	**		**	**	**	**	*		0.0425
2 A	**		**	**	**	**	*		0.0316
2.5 A	**		**	**	**	**	*		0.0241
3.15 A	**		**	**	**	**	*		0.0188
4 A	**		**	**	**	**	*		0.0136
5 A		**	**	**	**	**	*		0.0100
6.3 A		**	**	**	**	**	*		0.0074
8 A					**			**	0.0042
10 A					**			**	0.0030

*: 有安規認證 Have safety certify

** : 有安規認證及保險絲上蓋有安規印字標記 Have safety certify and safety mark on the cover

Conquer Electronics Co., LTD.

No.26, Wucyuan 5th Rd., Wugu Dist.,(New Taipei Industrial Park) New Taipei City 24888, Taiwan TEL:+886-2-8990-2189 (代表號) FAX:+886-2-8990-2577

Peitou Factory : No. 15, Lane 120, Lite Road, Peitou, 11248, Taipei, Taiwan. TEL: +886-2-2895-8895 (代表號) FAX:+886-2-2895-8880

E-mail: conqfuse@ms62.hinet.net Official Website: http://www.conquer.com.tw



13 系列品名列表 series model list :

品名 Type	安培數 Ampere Rating
MET ___A ___V ___	40mA~10A

例: MET A V
 1 2 3 4

- 1 系列品名 Series Model : MET
- 2 安培數 Ampere Rating : 40mA~10A
- 3 伏特數 Voltage : 250V or 277V
- 4 包裝規範 Packaging Code :

包裝規範 Packaging Code	說明 Description
	1000 pcs:打帶(長腳) 1000 pcs on Taped(Long Lead)
(BK)	1000 pcs:散裝(短腳) 1000 pcs in Bulk(Short Lead)